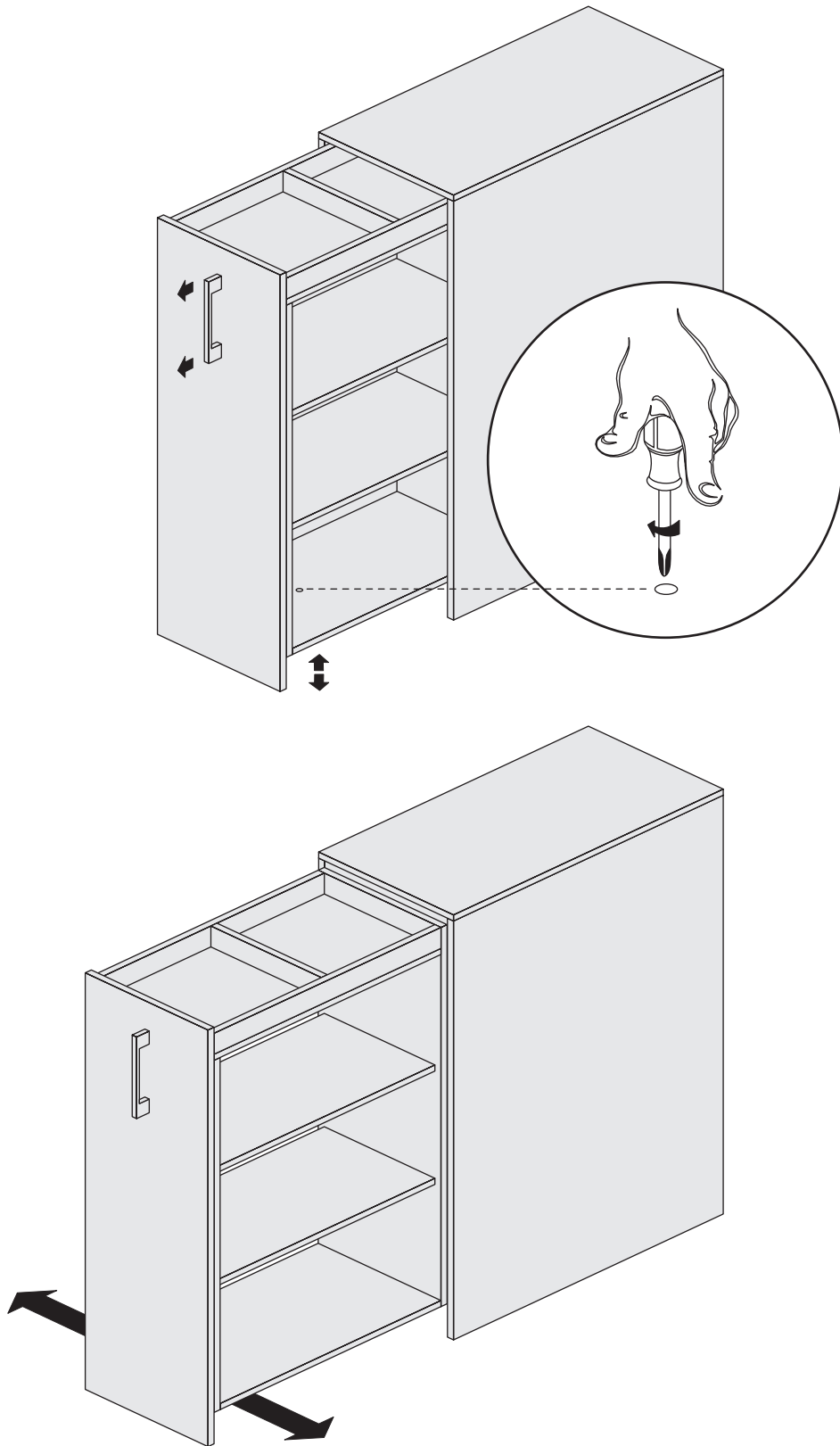
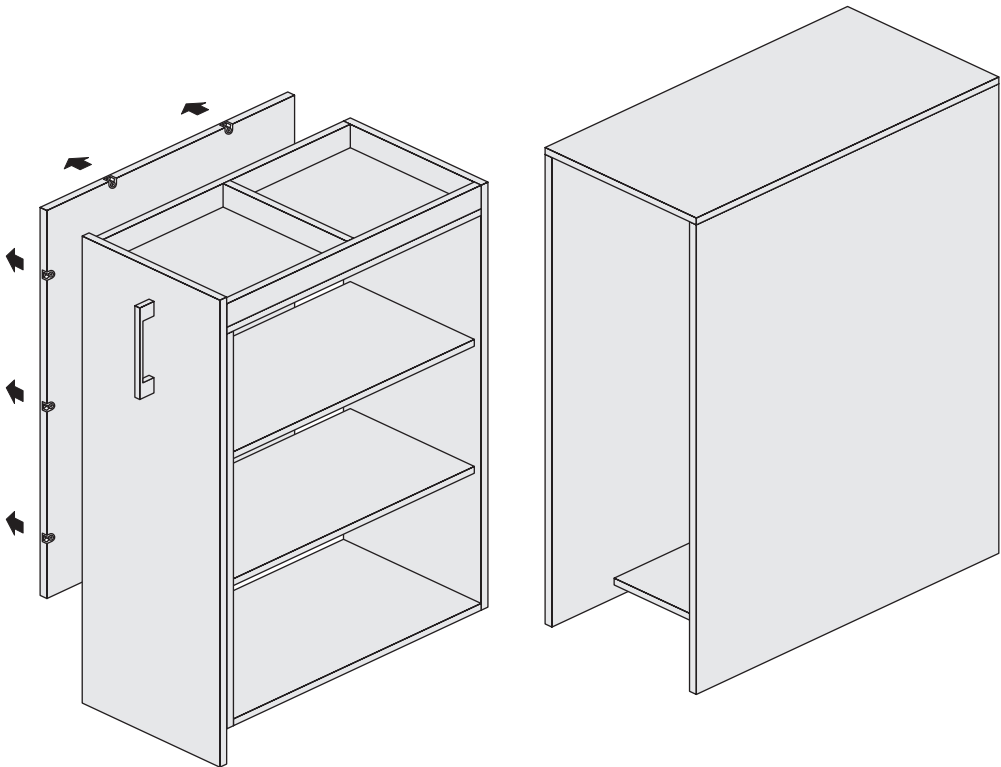
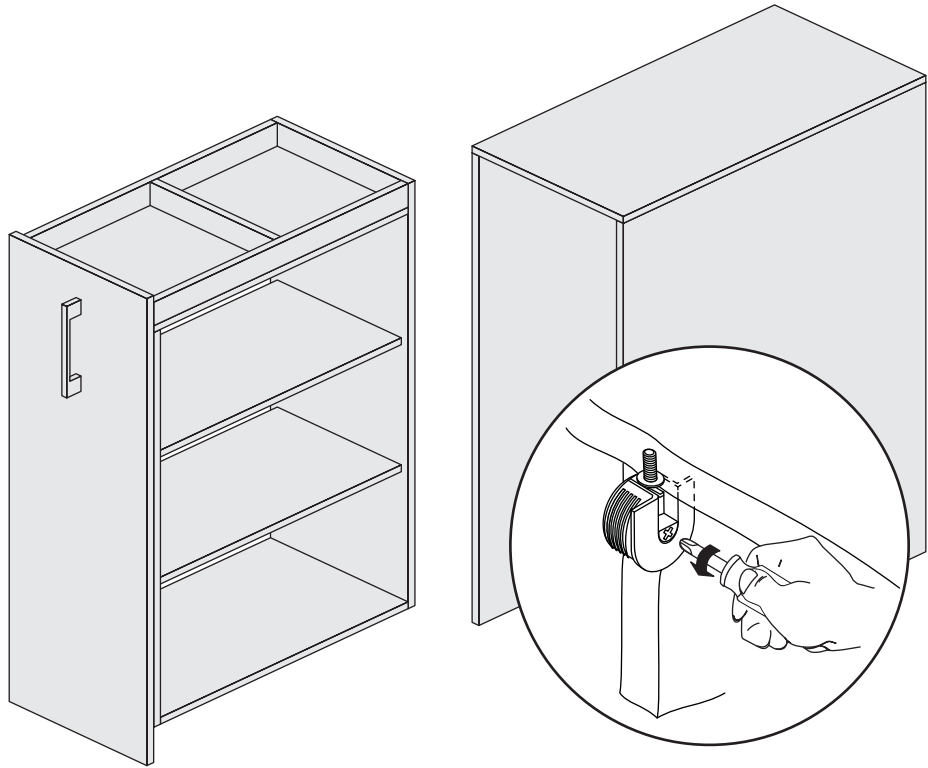
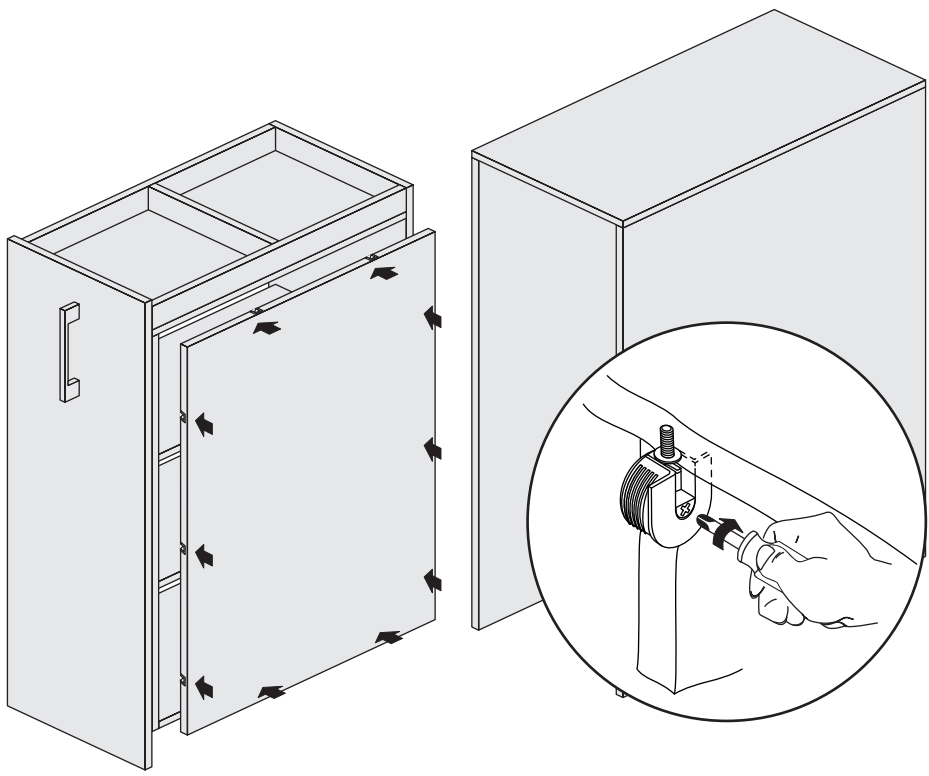
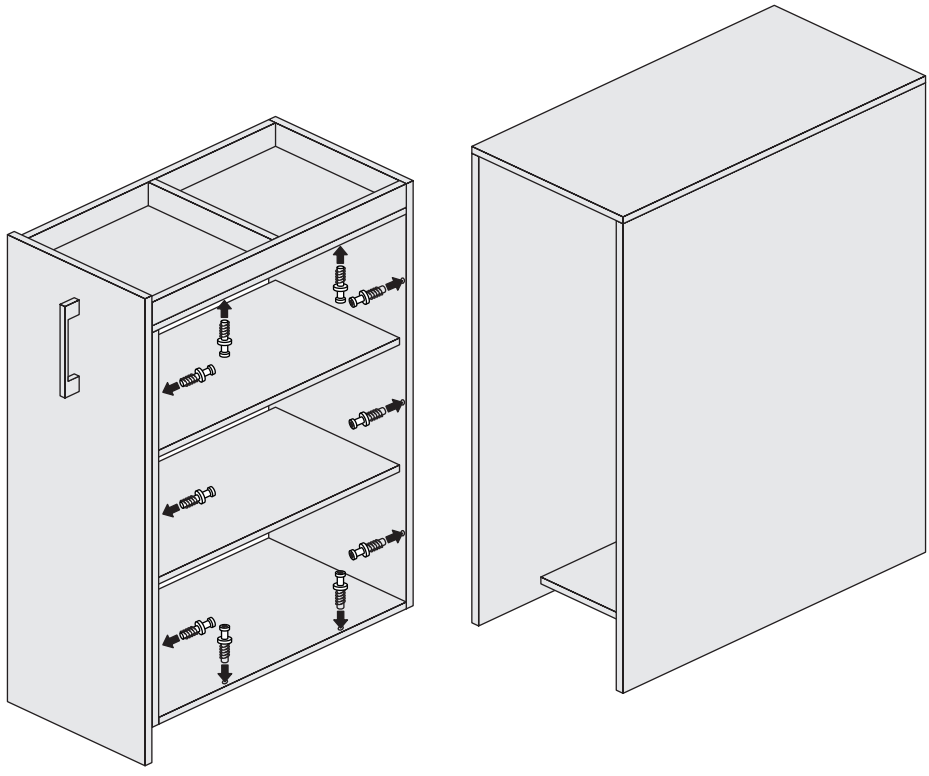


NORCDNA-29/30

NORCDNA-29/30



NORCDNA-29/30



NORCDNA-29/30

